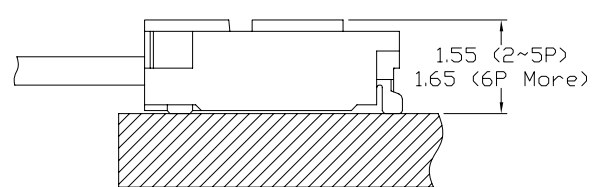


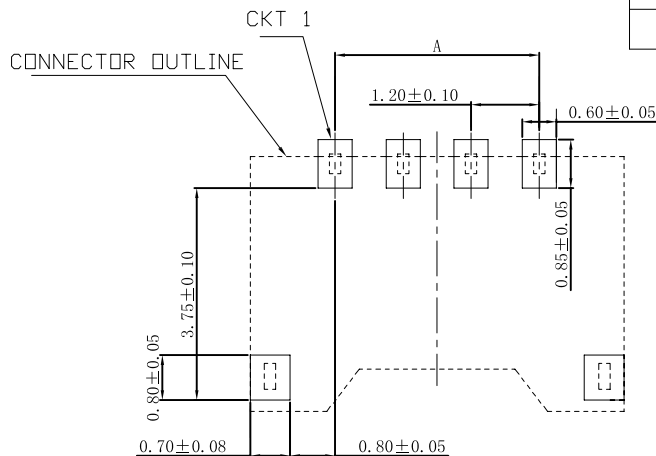
RoHS

REVISION DATE

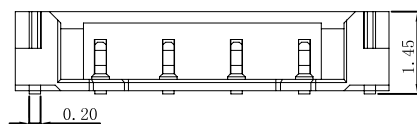
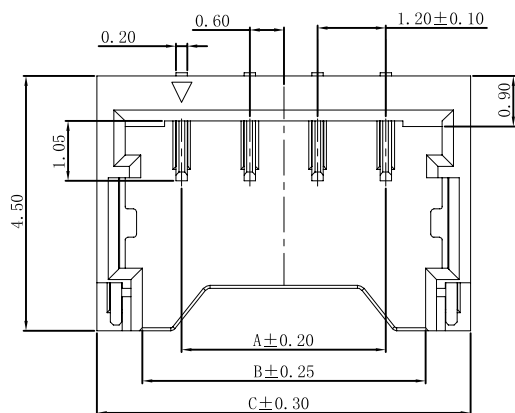
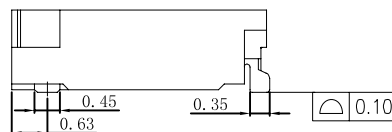
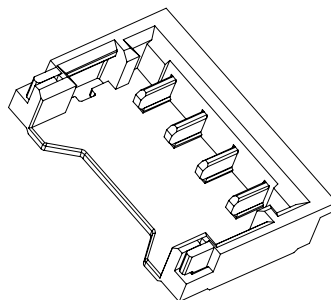
ITEM	DESCRIPTION	DATE
A	Issue	



MATING VIEW

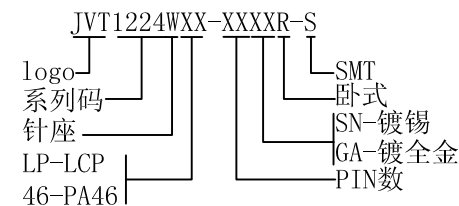


RECOMMENDED PCB LAYOUT
GENERAL TOLERANCE ±0.05



- SPECIFICATION**
- Voltage rating: 50V AC, DC
 - Current Rating: 2A, AC, DC
 - Withstand voltage: 500V AC/minute
 - Contact resistance: 20mΩ max
 - Insulation resistance: 100MΩ min
 - Temperature range: -25° C ~ +85° C

- HOUSING**
- Material: Base, LCP/PA46 UL94V-0
Pin, Brass Tin-plated/gold-plated



Poles	DIM (mm)		
	A	B	C
2	1.20	2.60	4.20
3	2.40	3.80	5.40
4	3.60	5.00	6.60
5	4.80	6.20	7.80
6	6.00	7.40	9.00
7	7.20	8.60	10.20
8	8.40	9.80	11.40
9	9.60	11.00	12.60
10	10.80	12.20	13.80
11	12.00	13.40	15.00
12	13.20	14.60	16.20
13	14.40	15.80	17.40
14	15.60	17.00	18.60
15	16.80	18.20	19.80

投影 (PROJECT)		公差 (TOLERANCE)
单位 (UNIT)	mm	0 ±0.40
比例 (SCALE)	FIT	0.0 ±0.30
版本 (EDITION)	A	0.00 ±0.20
日期 (DATE)	2013 06 05	0.000 ±0.05

东莞市乔业电子有限公司
DONG GUAN CHYAO YEE (JVT) CONNECTORS CO., LTD.

绘图 (DRAWN)	TONY
审核 (CHECKED)	CHEN
核准 (APPROVE)	

品号 (PART NO)	JVT1224WXX-XXXXR-S	页次 (PAGE)	
图号 (DRAW NO)	054-1224-01		1/1
品名 (NAME)	MLX 1.2mm WAFER		