

RoHS

REVISION DATE

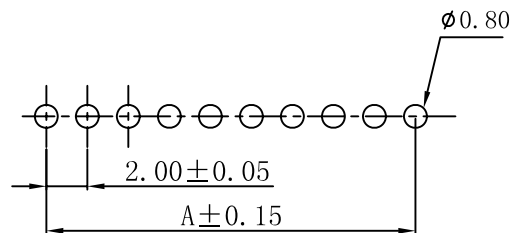
ITEM	DESCRIPTION	DATE
A	Issue	

■ Specifications

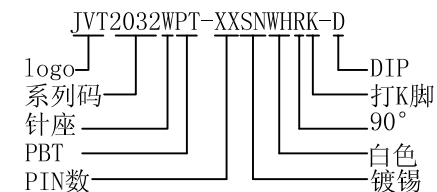
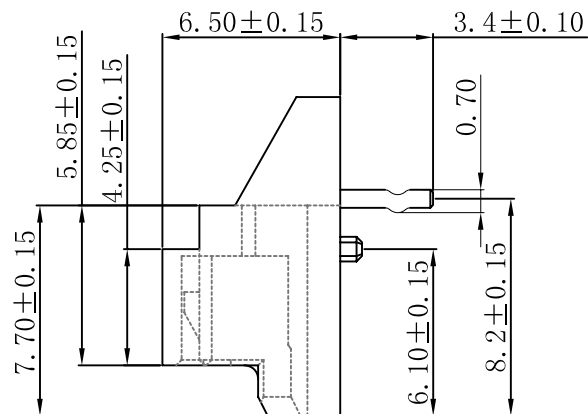
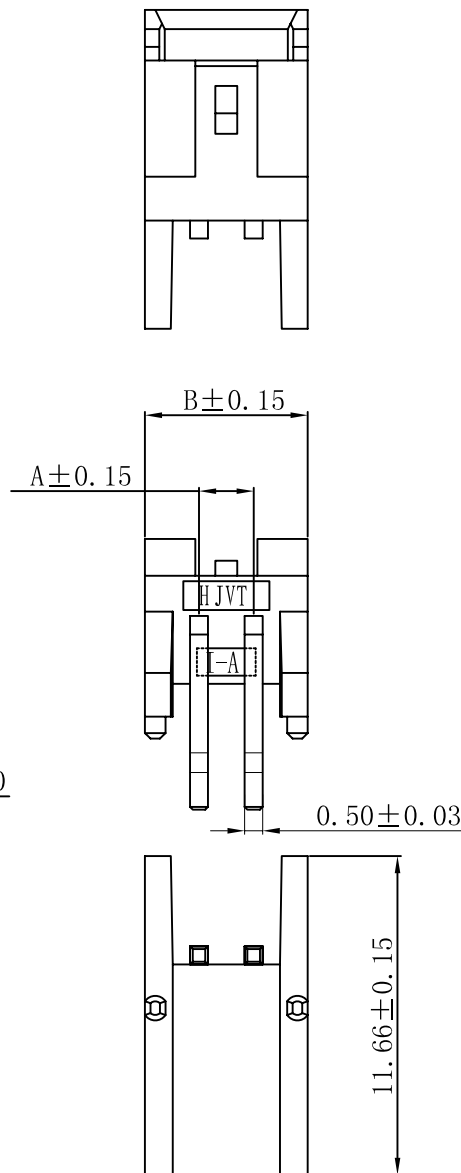
- Voltage rating: 250V AC/ DC
- Current rating: 3A AC/ DC
- Withstanding Voltage: 800V AC/minute.
- Insulation resistance: 1000MΩ Min.
- Temperature range: -25° C ~ +85° C
- Contact resistance: Initial Value/20mΩ Max.

■ Wafer

- Part No. : JVT2032WPT-XXSNWHRK-D
- Poles : 02-16
- Material: Nylon PBT UL 94V-0  
Pin: Brass/Tin-Plated
- Q' ty: 1,000 Pcs/Bag



Recommend P. C. B Layout



Poles	Dimensions (mm)		Poles	Dimensions (mm)	
	A	B		A	B
2	2.0	6.0	10	18.0	22.0
3	4.0	8.0	11	20.0	24.0
4	6.0	10.0	12	22.0	26.0
5	8.0	12.0	13	24.0	28.0
6	10.0	14.0	14	26.0	30.0
7	12.0	16.0	15	28.0	32.0
8	14.0	18.0	16	30.0	34.0
9	16.0	20.0			

投影 (PROJECT)		公差 (TOLERANCE)
单位 (UNIT)	mm	0 ± 0.50
比例 (SCALE)	FIT	0.0 ± 0.30
版本 (EDITION)	A	0.00 ± 0.20
日期 (DATE)	2013 06 06	0.000 ± 0.10

东莞市乔业电子有限公司  
DONG GUAN CHYAO YEE (JVT) CONNECTORS CO., LTD.

绘图 (DRAWN)	TONY	料号 (PART NO)	JVT2032WPT-XXSNWHRK-D	页次 (PAGE)	
审核 (CHECKED)	CHEN	图号 (DRAW NO)	031-2032-02		1/1
核准 (APPROVE)		品名 (NAME)	PAP 2.0mm 90° WAFER DIP		