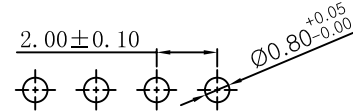
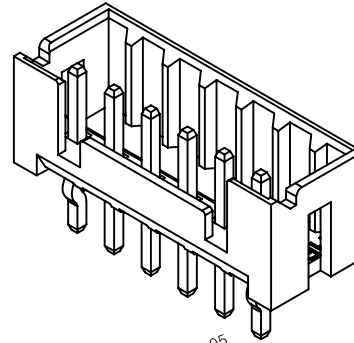
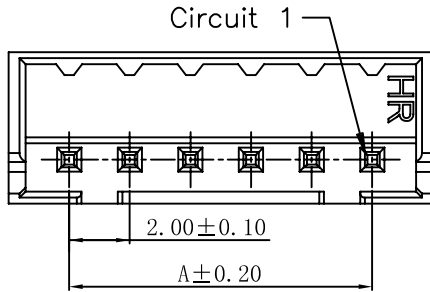


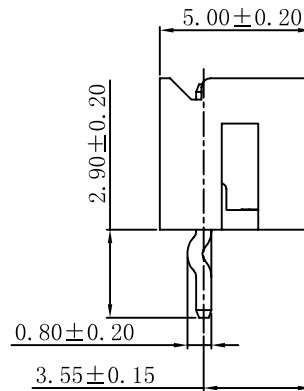
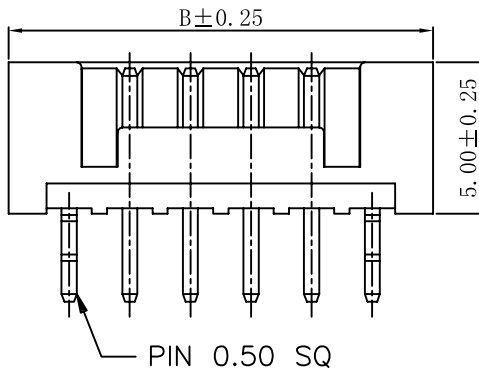
RoHS

REVISION DATE

ITEM	DESCRIPTION	DATE
A	Issue	



P.C.B LAYOUT

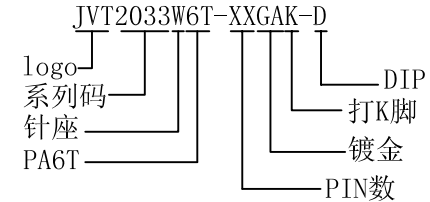


■ SPECIFICATION

- Voltage rating: 250V AC, DC
- Current Rating: 3A, AC, DC
- Withstand voltage: 800V AC/minute
- Contact resistance: 30mΩ max
- Insulation resistance: 650MΩ min
- Temperature range: -25° C ~ +85° C

■ WAFER

- Material: PA6T UL94V-0
- Contact Pin: Brass/Gold-Flash
- Color: Natural (Black)



Ordering Information & Dimensions

PART NO.	Dimensions	
	A	B
02P	2.00	6.00
03P	4.00	8.00
04P	6.00	10.00
05P	8.00	12.00
06P	10.00	14.00
07P	12.00	16.00
08P	14.00	18.00
09P	16.00	20.00
10P	18.00	22.00
11P	20.00	24.00
12P	22.00	26.00
13P	24.00	28.00
14P	26.00	30.00
15P	28.00	32.00

投影 (PROJECT)		公差 (TOLERANCE)	
单位 (UNIT)	mm	0	±0.40
比例 (SCALE)	FIT	0.0	±0.30
版本 (EDITION)	A.0	0.00	±0.20
日期 (DATE)	2014 05 12	0.000	±0.05

东莞市乔业电子有限公司
DONG GUAN CHYAO YEE (JVT) CONNECTORS CO., LTD.

绘图 (DRAWN)	TONY
审核 (CHECKED)	CHEN
核准 (APPROVE)	

品号 (PART NO)	JVT2033W6T-XXGAK-D	页次 (PAGE)	
图号 (DRAW NO)	022-2033-01		1/1
品名 (NAME)	DF3 2.0 WAFER 打K脚		